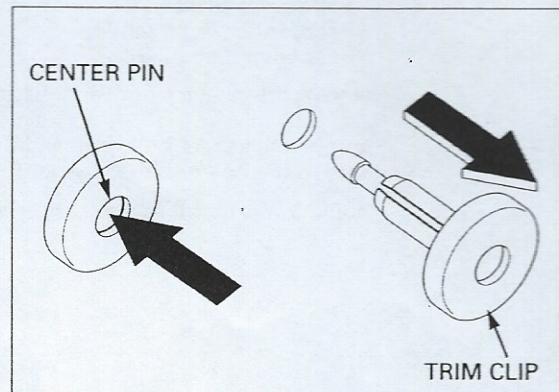


## TRIM CLIPS

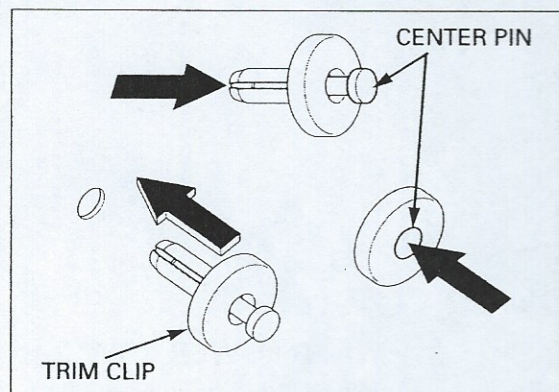
### REMOVAL

Push the center of the trim clip pin.  
Remove the trim clip.



### INSTALLATION

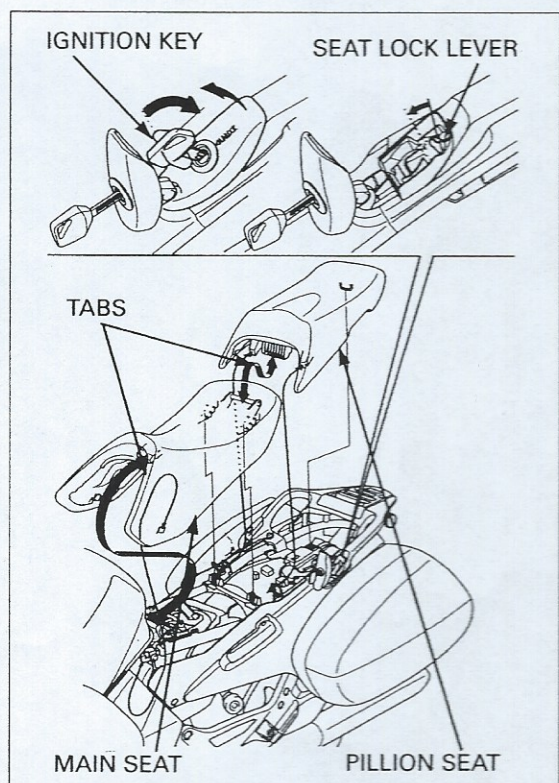
Raise the center pin by pushing the center pin back.  
Install the trim clip.  
Push the center pin until the pin is flush with the outer casing.



## SEAT

Unlock the left saddlebag lock lever with the ignition key.  
Release the pillion seat by pulling the seat lock lever.  
Remove the main seat by pulling it rearward.

Install the main seat by aligning the front tab to the adjuster bar on the front cross plate.  
Install the pillion seat by aligning the front tabs to the set pipe on the main seat.  
Lock the pillion seat by pushing it down securely.



### REAR FENDER B

Remove the following:

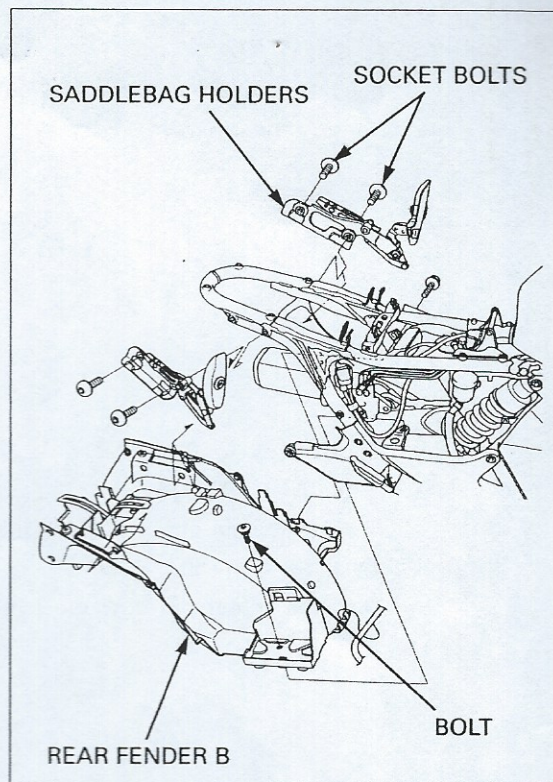
- Rear wheel (page 16-6)
- Battery (page 19-5)
- Rear fender A (page 2-8)
- Rear cowl (page 2-7)

Remove the relays from the tabs on the rear fender B.

Remove the socket bolts and saddlebag holders.

Remove the bolt and rear fender B.

Installation is in the reverse order of removal.



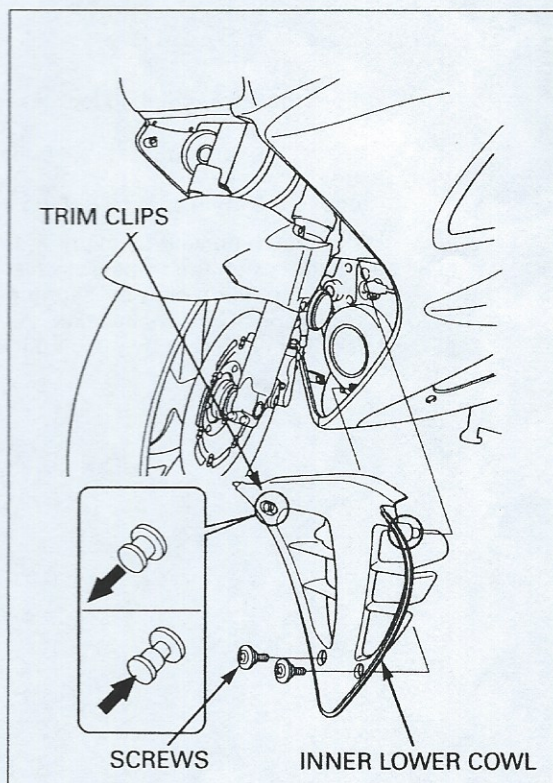
### LOWER COWL

#### INNER LOWER COWL

Remove the two screws and two trim clips.

Remove the inner lower cowl.

Installation is in the reverse order of removal.



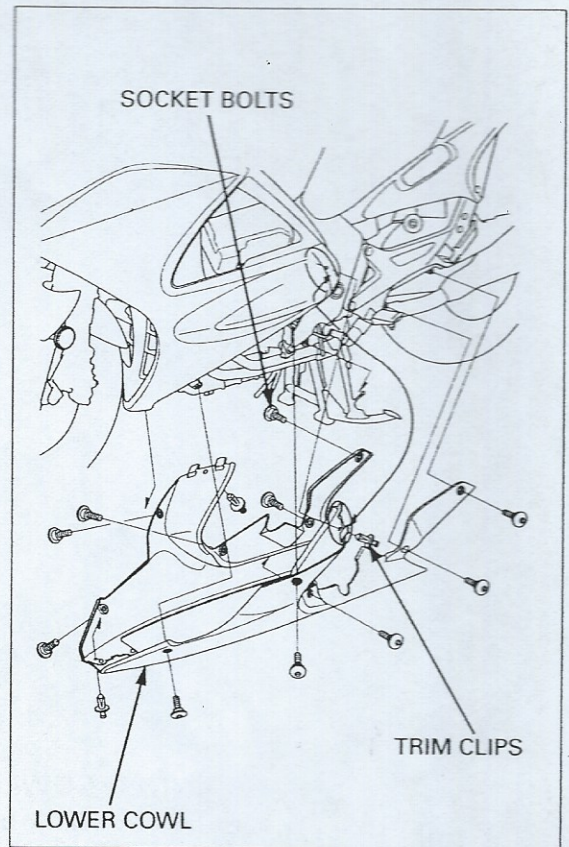
## FRAME/BODY PANELS/EXHAUST SYSTEM

### LOWER COWL

#### REMOVAL/INSTALLATION

Remove the ten socket bolts and three trim clips.  
Remove the lower cowl.

Installation is in the reverse order of removal.

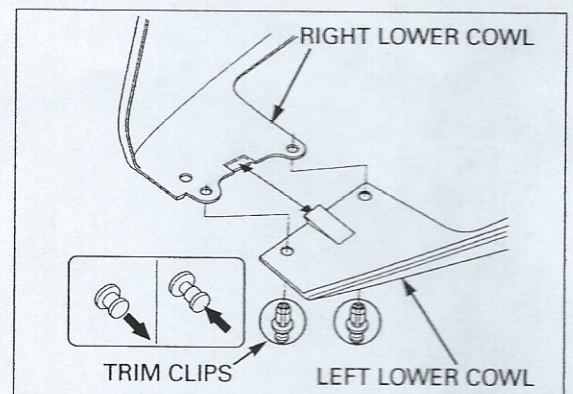


#### DISASSEMBLY/ASSEMBLY

Remove the lower cowl (page 2-10).

Remove the two trim clips and disassemble the right lower cowl and left lower cowl.

Assembly is in the reverse order of disassembly.



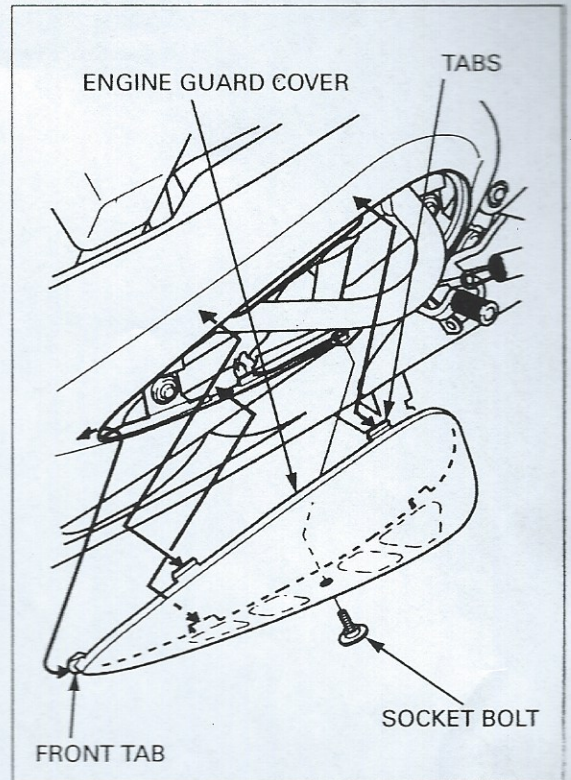
## FRAME/BODY PANELS/EXHAUST SYSTEM

### MIDDLE COWL

#### ENGINE GUARD COVER

Remove the socket bolt.  
Release the five tabs on the engine guard cover from the grooves on the middle cowl and remove the engine guard cover.

Install the front tab on the engine guard cover to the middle cowl, then install the four tabs to the middle cowl.

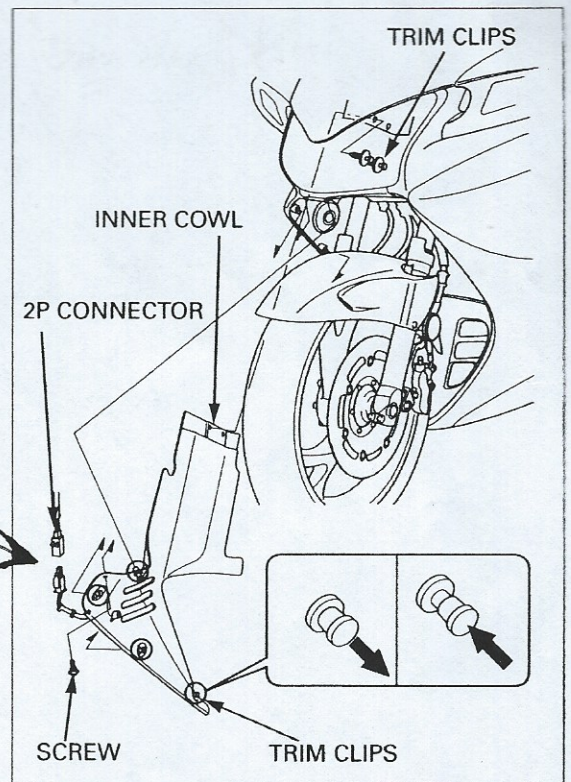


#### INNER COWL

Remove the two trim clips.  
Remove the four trim clips and one screw.  
Remove the inner cowl.

*Right side only:* Disconnect the open air temperature sensor 2P connector.

Installation is in the reverse order of removal.



**MIDDLE COWL  
REMOVAL/INSTALLATION**

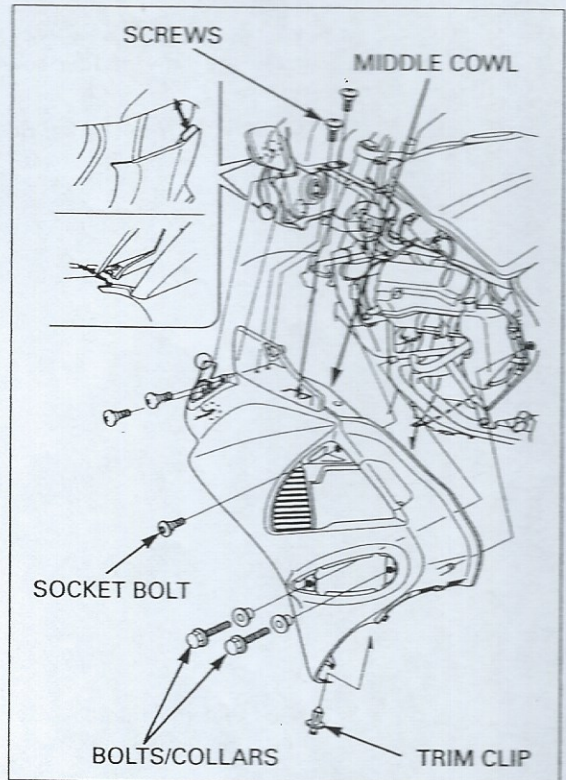
Remove the following:

- Remove the mirror cover (page 2-11)
- Remove the lower cowl (page 2-9)
- Remove the inner cowl (page 2-12)

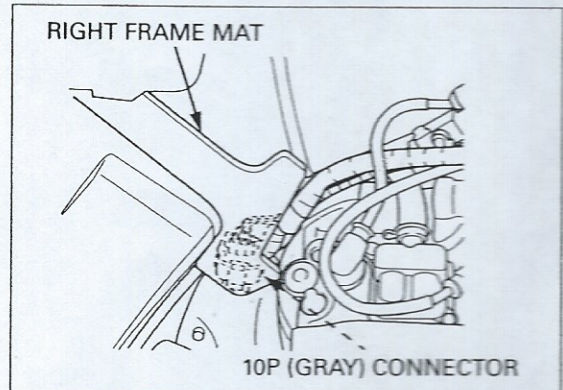
Remove the two middle cowl bolts, collars and one socket bolt.

Remove the four screws, trim clip, then remove the middle cowl.

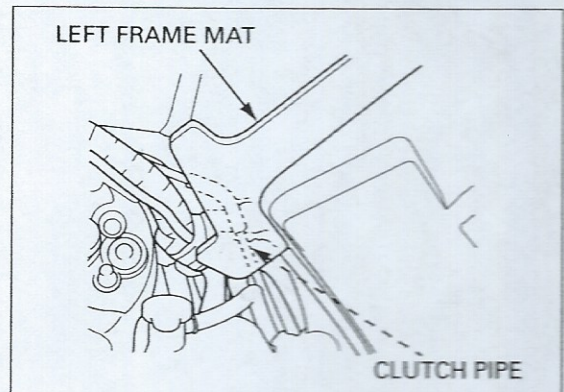
*Left side only:* Remove the sub-harness 24P (White) connector from the groove on the left cowl pocket.



Check the right frame mat installation:  
Cover the engine sub-harness 10P (Gray) connector.



Check the left frame mat installation:  
Cover the main wire harness and clutch pipe.

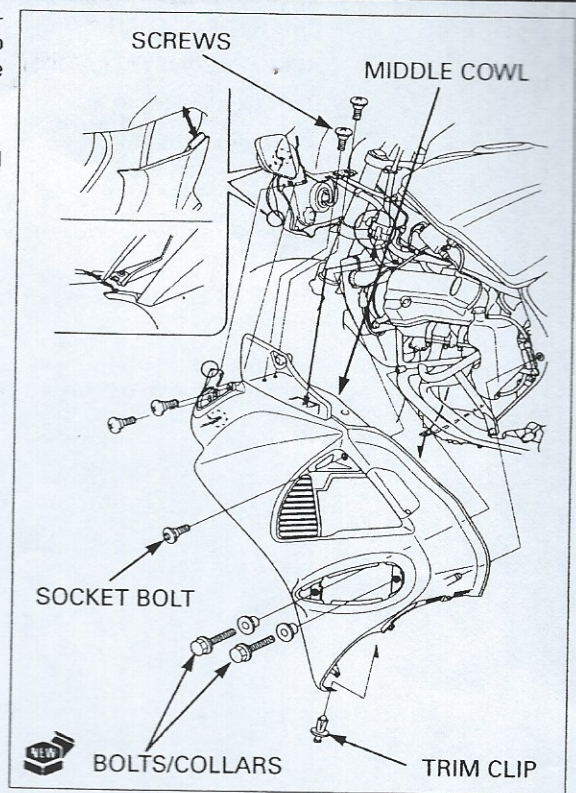


## FRAME/BODY PANELS/EXHAUST SYSTEM

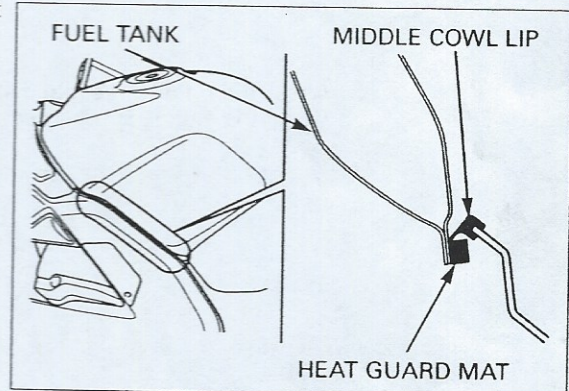
Install the middle cowl aligning the tabs on the middle cowl with the grooves on the upper cowl and tab on the middle cowl with the grommet on the engine guard.

Installation is in the reverse order of removal. Install the new middle cowl bolts to the specified torque.

**TORQUE: 10 N·m (1.0 kgf·m, 7 lbf·ft)**



Check that the middle cowl lip covers on the heat guard mat of fuel tank as shown.

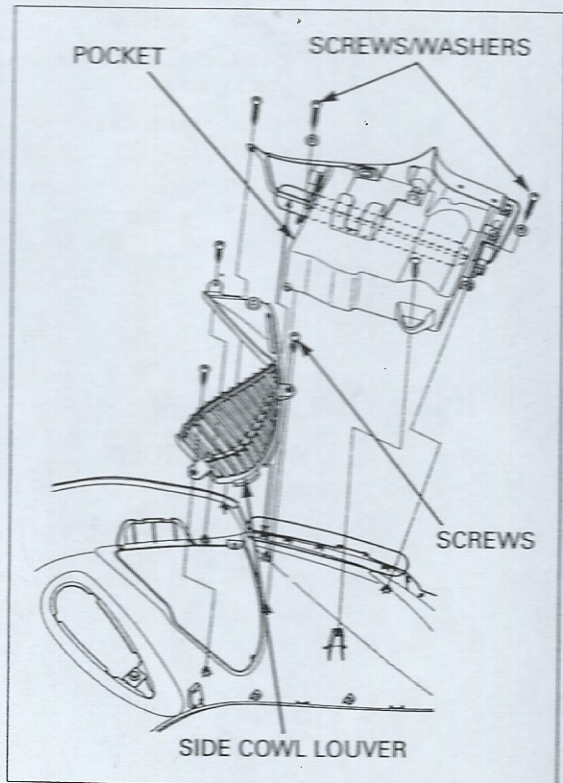


## FRAME/BODY PANELS/EXHAUST SYSTEM

### LEFT MIDDLE COWL DISASSEMBLY/ASSEMBLY

Remove the screws and washers.  
Remove the pocket and side cowl louver from the left middle cowl.

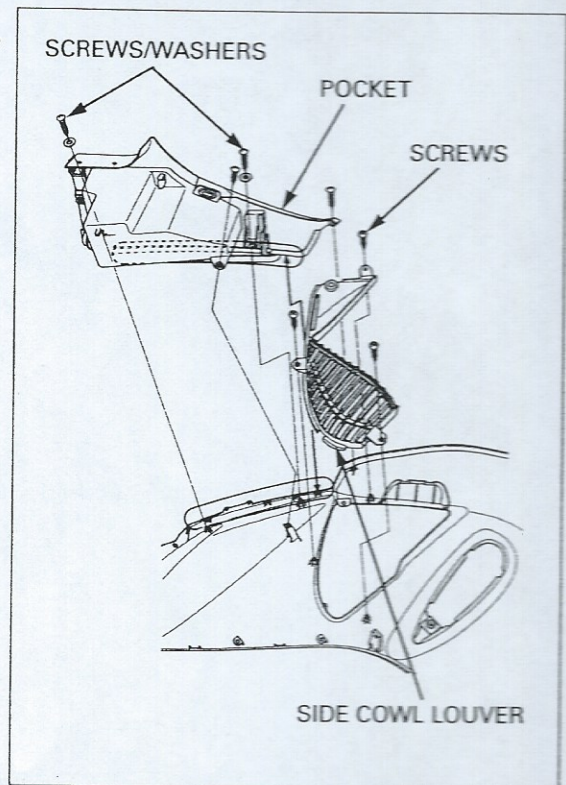
Assembly is in the reverse order of disassembly.



### RIGHT MIDDLE COWL DISASSEMBLY/ASSEMBLY

Remove the screws and washers.  
Remove the pocket and side cowl louver from the right middle cowl.

Assembly is in the reverse order of disassembly.



## FRAME/BODY PANELS/EXHAUST SYSTEM

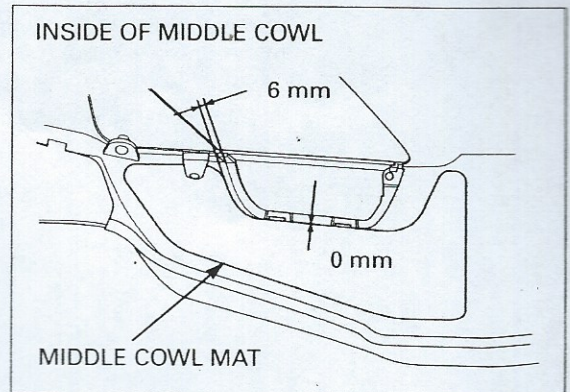
### MIDDLE COWL MAT REMOVAL/INSTALLATION

Check the middle cowl mat for wear or damage, and replace if necessary.

Remove the middle cowl mat from the inside of the middle cowl.

Degrease and clean the installing surface of the middle cowl.

Install the new middle cowl mat to the inside of the middle cowl as shown.

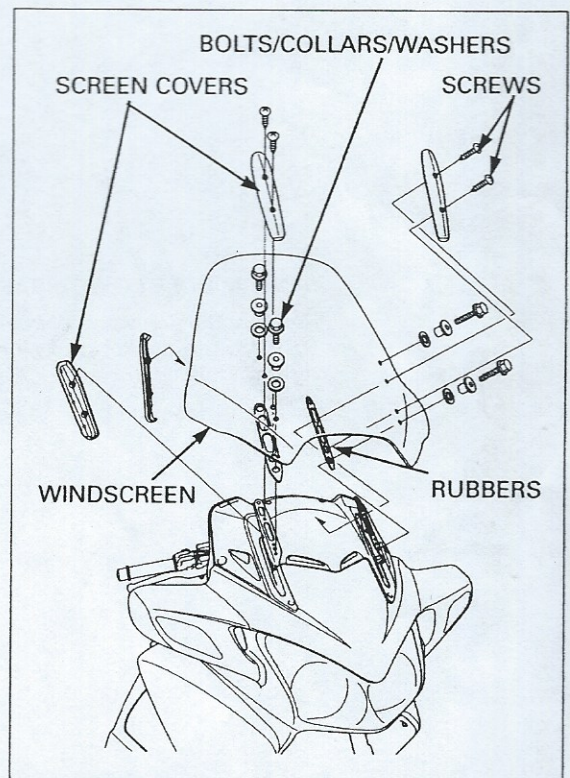


## WINDSCREEN

### WINDSCREEN

#### REMOVAL

Remove the four screws and windscreen covers.  
Remove the four bolts, collars and plastic washers.  
Remove the windscreen and rubbers.



Remove the four nuts and windscreen brackets.

